

1

2

6

3

4

5

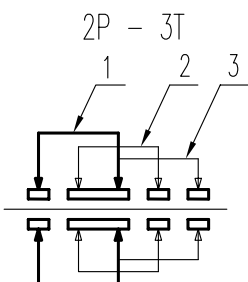
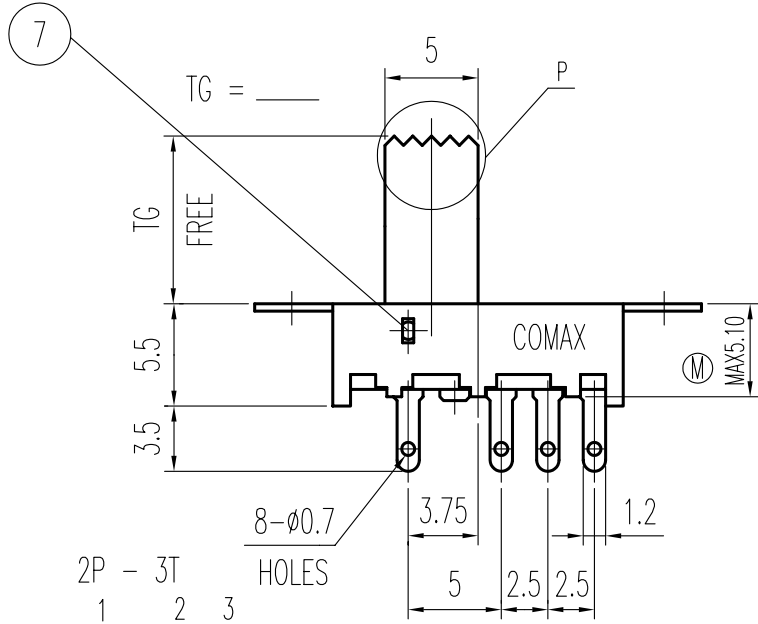
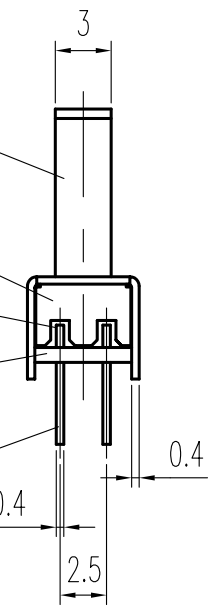


示意图 SCHEMATIC

注: 当柄长TG=6, 8, 9mm时其爪位高度尺寸Ⓜ为Max5.10mm

规格 Specifications

| | |
|-----------------------------------|------------------------------|
| 额定负荷 Ratings | DC 30 V 0.3 A |
| 初期接触电阻 Initial Contact Resistance | 30 mΩ Max. |
| 绝缘电阻 Insulation Resistance | DC 500 V 60 Sec. 100 MΩ Min. |
| 抗电强度 Dielectric | AC 500 V (50~60HZ) 60 Sec. |

| | | |
|-------------------------------|-----------------|---------|
| 操作力 Operating Force (gf) | A → B | B → A |
| | 200±100 | 250±100 |
| 负荷寿命 Operating Life With Load | 10,000 次 Cycles | |

| | | | | |
|------|------------------|--------------|--------|------------|
| 7 | 钢珠 STEEL BALL | SUS | 2 | NATURAL |
| 6 | 弹簧 SPRING | SUS | 1 | NATURAL |
| 5 | 端子 TERMINAL | C2680R ① | 8 | Ag PLATED |
| 4 | 基板 TERMINAL BASE | PHENOL RESIN | 1 | YELLOW |
| 3 | 接触片 CONTACT | C5210R ① | 2 | Ag CLAD |
| 2 | 胶柄 KNOB | P O M | 1 | TG 2 - 10 |
| 1 | 铁壳 FRAME | S P C C | 1 | Ni PLATED |
| 序NO. | 零件 PART | 材料 MATERIAL | 数量 QTY | 备注 REMARKS |

| | | | |
|------------------|--------------------------------|----------|----------|
| A01 | ADD: 规格 Specifications 见 ① | 王光云 | 06-04-06 |
| | C2680R-EH → C2680R 见 ① | | |
| | C5210R-EH/Ag CLAD → C5210R 见 ① | | |
| 03 | | 戴胜春 | 29-01-04 |
| 标号 REV | 内容 DESCRIPTION | 签名 SIGN. | 日期 DATE |
| DWG NO. ITEM1250 | | | |

| | | | | | | | |
|-----------------------------------|--------|----------|--------------|------------|-------------|--------|------|
| TOLERANCES UNLESS OTHERWISE SPEC. | | TITLE | SLIDE SWITCH | ITEM NO | SS-23E08-TG | | |
| UNDER 1 | ± 0.10 | DRAWN | 王光云 | VERSION | A01 | PAGE 1 | OF 1 |
| 1 - 10 | ± 0.30 | REVIEWED | 张念明 | SCALE | | UNIT | mm |
| OVER 10 | ± 0.50 | APPROVED | 林高全 | PROJECTION | | | |

COMAX ELECTRONICS (HUIZHOU) CO.,LTD.