

K DETAIL 2 : 1

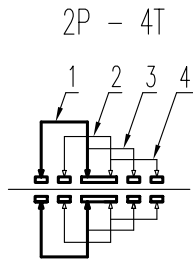
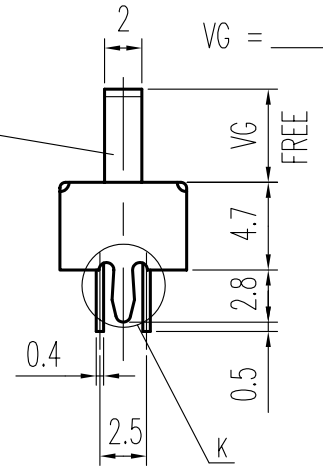
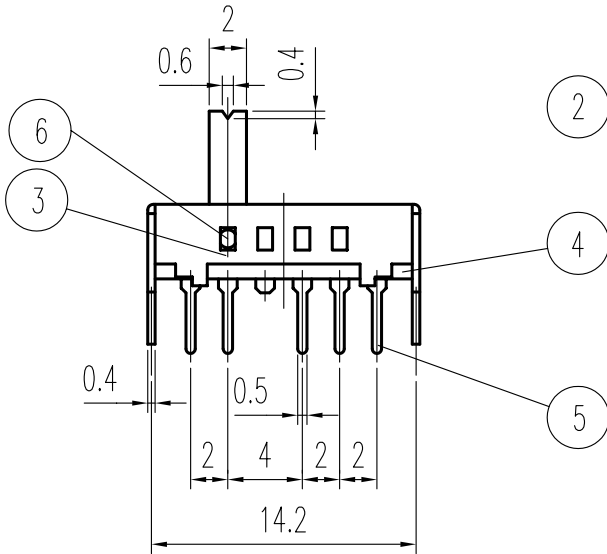
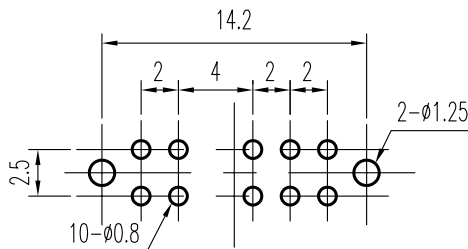


示意图 SCHEMATIC



安装孔 PIERCING PLAN

◎规格 Specifications

额定负荷 Ratings	DC 30 V 0.3 A
初期接触电阻 Initial Contact Resistance	30 mΩ Max.
绝缘电阻 Insulation Resistance	DC 500 V 60 Sec. 100 MΩ Min.
抗电强度 Dielectric	AC 500 V (50~60HZ) 60 Sec.

操作力 Operating Force (gf)	A → B B → C C → D	250±100	250±100	250±100
	D → C C → B B → A			
负荷寿命 Operating Life With Load		10,000 次 Cycles		

6	弹片 SPRING PLATE	C5210R	1	NATURAL
5	端子 TERMINAL	C2680R◎	10	Ag PLATED
4	基板 TERMINAL BASE	PHENOL RESIN	1	YELLOW
3	接触片 CONTACT	C5210R◎	2	Ag CLAD
2	胶柄 KNOB	P O M	1	VG 2 - 6
1	铁壳 FRAME	S P C C	1	Sn PLATED
序NO.	零件 PART	材料 MATERIAL	数量 QTY	备注 REMARKS

A01	ADD: 规格 Specifications 见◎	王光云	06-04-21
	C2680R-EH → C2680R 见◎		
	C5210R-EH/Ag CLAD → C5210R 见◎		
01		赖立辉	15 FEB 99
标号 REV	内容 DESCRIPTION	签名 SIGN.	日期 DATE

DWG NO. ITEM1288

TOLERANCES UNLESS OTHERWISE SPEC.		TITLE	SLIDE SWITCH		ITEM NO	SS-24D07-VG		
UNDER 1	± 0.10	DRAWN	王光云	06-04-21	VERSION	A01	PAGE 1	OF 1
1 - 10	± 0.30	REVIEWED	张念明	06-04-21	SCALE		UNIT	mm
OVER 10	± 0.50	APPROVED	高洪	06-04-21	PROJECTION			

COMAX ELECTRONICS (HUIZHOU) CO.,LTD.