

P DETAIL 2 : 1

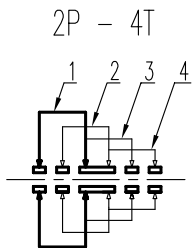
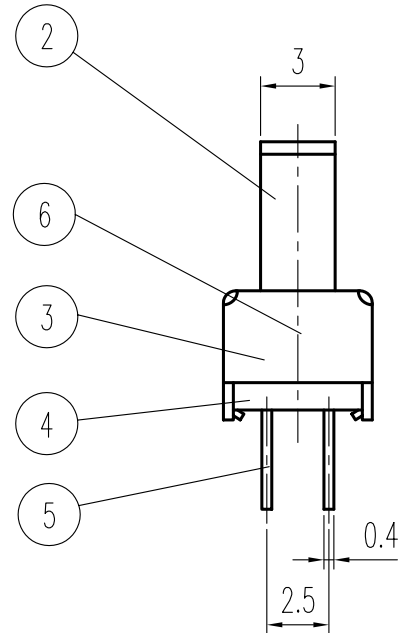
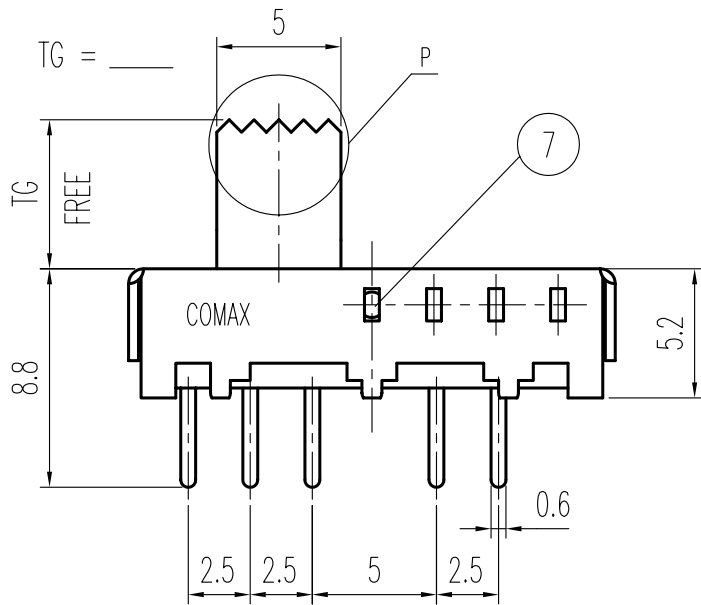
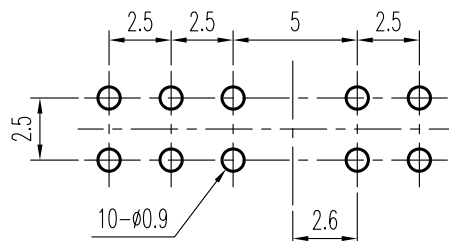


示意图 SCHEMATIC



安装孔 PIERCING PLAN

◎规格 Specifications

额定负荷 Ratings	DC 30 V 0.3 A
初期接触电阻 Initial Contact Resistance	30 mΩ Max.
绝缘电阻 Insulation Resistance	DC 500 V 60 Sec 100 MΩ Min.
抗电强度 Dielectric Voltage	AC 500 V (50~60HZ) 60 Sec.

操作力 Operating Force (gf)	A → B	B → C	C → D
	250±100	250±100	250±100
负荷寿命 Operating Life With Load	10,000 次 Cycles		

序NO.	零件 PART	材料 MATERIAL	数量 QTY	备注 REMARKS
7	钢珠 STEEL BALL	SUS	2	NATURAL
6	弹簧 SPRING	SUS	1	NATURAL
5	端子 TERMINAL	C2680R◎	10	Ag PLATED
4	基板 TERMINAL BASE	PHENOL RESIN	1	YELLOW
3	接触片 CONTACT	C5210R	2	Ag CLAD
2	胶柄 KNOB	P O M	1	TG 2 - 9
1	铁壳 FRAME	S P C C	1	Ni PLATED

A01	ADD: 规格 Specifications 见◎	王光云	06-06-07
01	C2680R-EH → C2680R 见◎	赖立辉	18 SEP 97
标号 REV	内容 DESCRIPTION	签名 SIGN.	日期 DATE

DWG NO. ITEM1414

TOLERANCES UNLESS OTHERWISE SPEC.		TITLE	SLIDE SWITCH		ITEM NO	SS-24E06-TG	
UNDER 1	± 0.10	DRAWN	王光云	06-06-07	VERSION	A01	PAGE 1 OF 1
1 - 10	± 0.30	REVIEWED	张念明	06-06-07	SCALE		UNIT mm
OVER 10	± 0.50	APPROVED	高洪	06-06-07	PROJECTION		

COMAX ELECTRONICS (HUIZHOU) CO.,LTD.