

P DETAIL 1.5 : 1

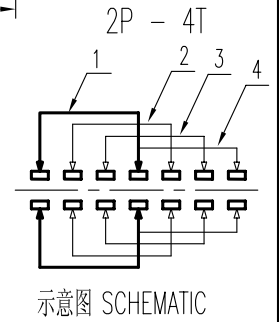
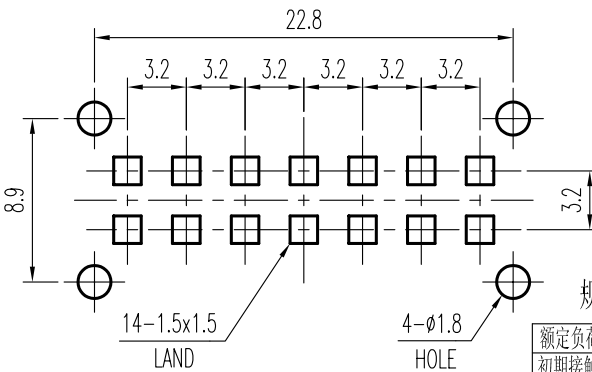
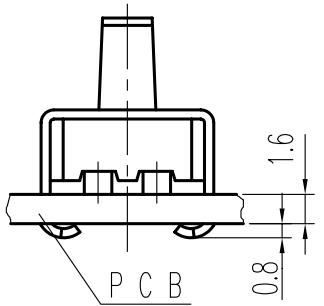
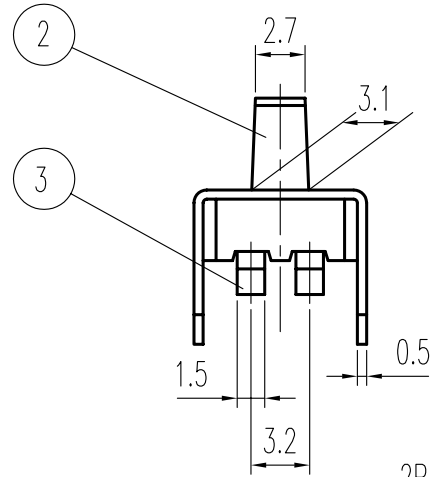
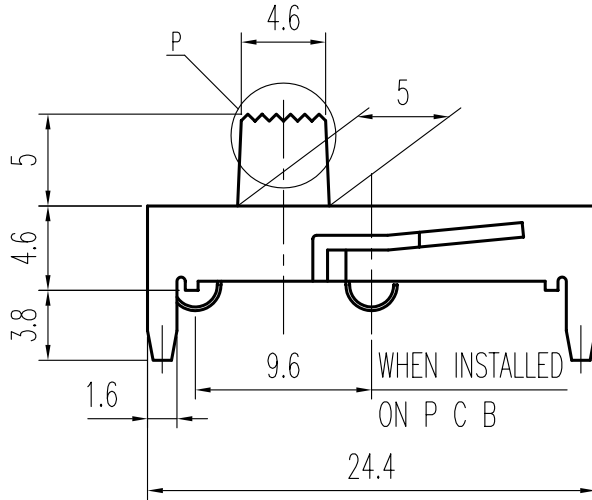


示意图 SCHEMATIC

规格 Specifications ①

额定负荷 Ratings	DC 30_V 0.3_A
初期接触电阻 Initial Contact Resistance	30_mΩ Max.
绝缘电阻 Insulation Resistance	DC 500_V 60_Sec. 100_MΩ Min.
抗电强度 Dielectric Voltage	AC 500_V (50~60HZ) 60_Sec.
操作力 Operating Force (gf)	A → B B → C C → D D → C C → B B → A 500 ± 300 500 ± 300 500 ± 300
负荷寿命 Operating Life With Load	10,000 次 Cycles

P.C.B安装示意图 TYPICAL PC BOARD LAYOUT

3	接触片 CONTACT	C5210R ①	2	Ag CLAD	A01	ADD: 规格 Specifications 见①	刘红梅	06-07-03
2	胶柄 KNOB	PBT	1	BLACK	01	C5210R-EH, Ag PLATED → C5210R, Ag CLAD 见①	赖立辉	1 OCT 99
1	铁壳 FRAME	S E C C	1	NATURAL	标号 REV	内容 DESCRIPTION	签名 SIGN.	日期 DATE
序NO.	零件 PART	材料 MATERIAL	数量 QTY	备注 REMARKS	DWG NO. ITEM1658			

TOLERANCES UNLESS OTHERWISE SPEC.		TITLE	SLIDE SWITCH	ITEM NO	SS-24F02-AG 5	
UNDER 1	± 0.10	DRAWN	刘红梅	VERSION	A01	PAGE 1 OF 1
1 - 10	± 0.30	REVIEWED	张念明	SCALE		UNIT mm
OVER 10	± 0.50	APPROVED	林高全	PROJECTION		

COMAX ELECTRONICS (HUIZHOU) CO.,LTD.