

1

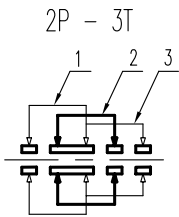
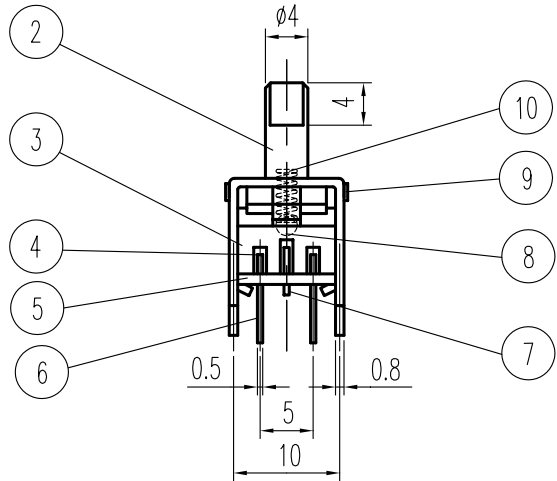
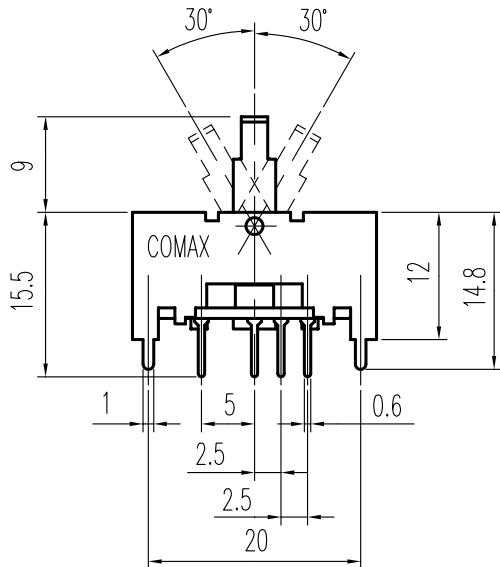
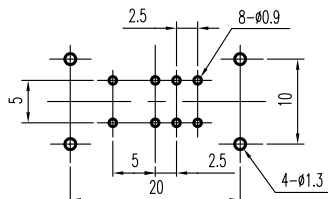


示意图 SCHEMATIC



安装孔 PIERCING PLAN

④ Specifications

额定负荷 Ratings	DC 30 V 0.3 A
初期接触电阻 Initial Contact Resistance	30 m Ω Max.
绝缘电阻 Insulation Resistance	DC 500V 60 \pm 5Sec. 100M Ω Min.
抗电强度 Dielectric Voltage	AC 500 V(50~60HZ) 60 \pm 5Sec.
操作力 Operating Force (gf)	200 \pm 100 300 \pm 150
负荷寿命 Operating Life With Load	10,000 次 Cycles

10	弹簧 SPRING	STEEL	1	NATURAL
9	锅钉 RIVET	BRASS	1	NATURAL
8	钢珠 STEEL BALL	STEEL	1	NATURAL
7	导向片 GUIDANCE PLATE	SPCC	1	Ni PLATED
6	端子 TERMINAL	C2680R ④	8	Ag PLATED
5	基板 TERMINAL BASE	PHENOL RESIN	1	YELLOW
4	接触片 CONTACT	C5210R ④	2	Ag CLAD
3	胶壳 HOUSING	POM	1	BLACK C
2	胶柄 KNOB	POM	1	BLACK C
1	铁壳 FRAME	SPCC	1	Ni PLATED

A01	ADD: Specifications 见④ C2680R-EH \rightarrow C2680R 见④ C5210R-EH/Ag CLAD \rightarrow C5210R 见④	王光云	06-06-02
01		赖立辉	7 JUN 93
标号 REV	内容 DESCRIPTION	签名 SIGN.	日期 DATE

序NO.	零件 PART	材料 MATERIAL	数量 QTY	备注 REMARKS
------	---------	-------------	--------	------------

DWG NO. ITEM0401

TOLERANCES UNLESS OTHERWISE SPEC.		TITLE	TOGGLE SWITCH		ITEM NO	TS-23E01-R 9		
UNDER 1	± 0.10	DRAWN	王光云	06-06-02	VERSION	A01	PAGE 1	OF 1
1 - 10	± 0.30	REVIEWED	张念明	06-06-02	SCALE		UNIT	mm
OVER 10	± 0.50	APPROVED	高洪	06-06-02	PROJECTION			

COMAX ELECTRONICS (HUIZHOU) CO.,LTD.