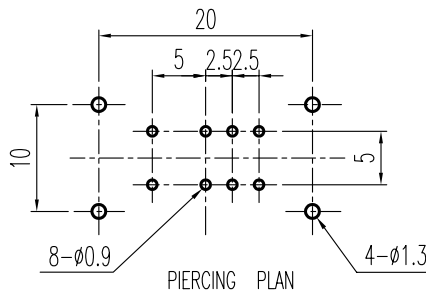
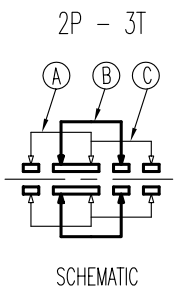
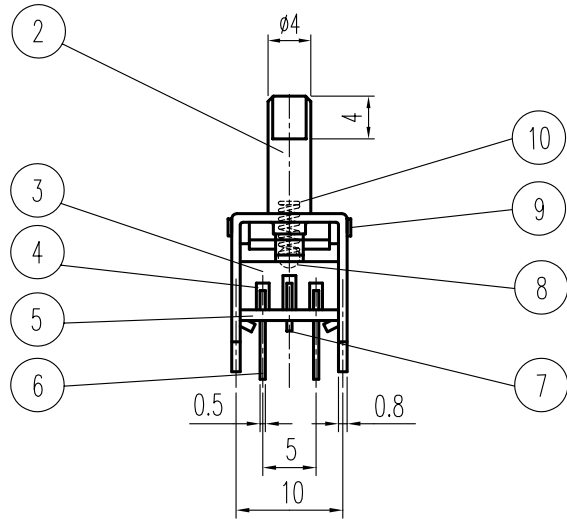
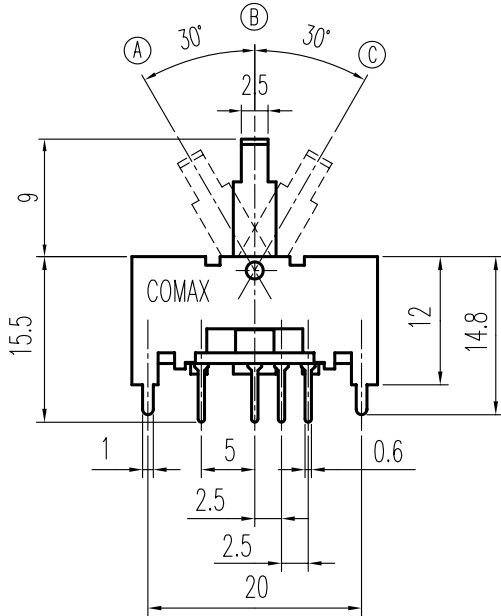


ITEM NO	OPERATING FORCE (gf)
TS-23E04-R 9	250±100
TS-23E04-R 9(R)	300±100

Ⓐ

30° FROM CENTRE MOMENTARY EITHER DIRECTION



Ⓐ Specifications

额定负荷 Ratings	DC 30 V 0.3 A
初期接触电阻 Initial Contact Resistance	30 mΩ Max.
绝缘电阻 Insulation Resistance	DC 500V 60±5Sec. 100 MΩ Min.
抗电强度 Dielectric	AC 500 V(50~60HZ) 60±5Sec.
操作力 Operating Force	见上表
负荷寿命 Operating Life With Load	10,000 次 Cycles

序NO	零件 PART	材料 MATERIAL	数量 QTY	备注 REMARKS
10	弹簧 SPRING	STEEL	1	NATURAL
9	锅钉 RIVET	BRASS	1	NATURAL
8	钢珠 STEEL BALL	STEEL	1	NATURAL
7	导向片 GUIDANCE PLATE	S P C C	1	Ni PLATED
6	端子 TERMINAL	C2680R Ⓐ	8	Ag PLATED
5	基板 TERMINAL BASE	PHENOL RESIN	1	YELLOW
4	接触片 CONTACT	C5210R Ⓐ	2	Ag CLAD
3	胶壳 HOUSING	P O M	1	BLACK C
2	胶柄 KNOB	P O M	1	BLACK C
1	铁壳 FRAME	S P C C	1	Ni PLATED

A01	ADD: 产品型号表栏	见Ⓐ	刘红梅	06-04-03
	ADD: Specifications	见Ⓐ		
	C2680R-EH → C2680R	见Ⓐ		
	C5210R-EH/Ag CLAD → C5210R	见Ⓐ		
01			赖立辉	1992/11/26
标号 REV	内容 DESCRIPTION	签名 SIGN.	日期 DATE	

DWG NO. ITEM0076

TOLERANCES UNLESS OTHERWISE SPEC.		TITLE	TOGGLE SWITCH		ITEM NO	
UNDER 1	± 0.10	DRAWN	刘红梅	06-04-03	VERSION	A01
1 - 10	± 0.30	REVIEWED	张念明	06-04-03	SCALE	PAGE 1 OF 1
OVER 10	± 0.50	APPROVED	林高全	06-04-03	PROJECTION	UNIT mm

COMAX ELECTRONICS (HUIZHOU) CO.,LTD.