

30° FROM CENTRE MOMENTARY EITHER DIRECTION

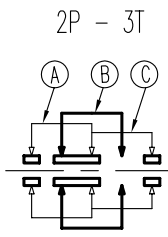
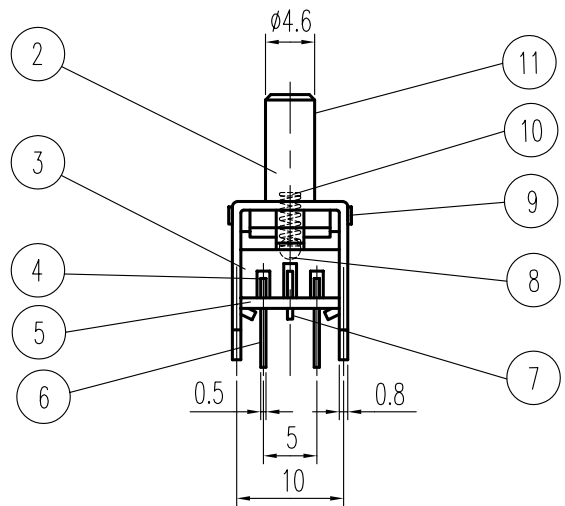
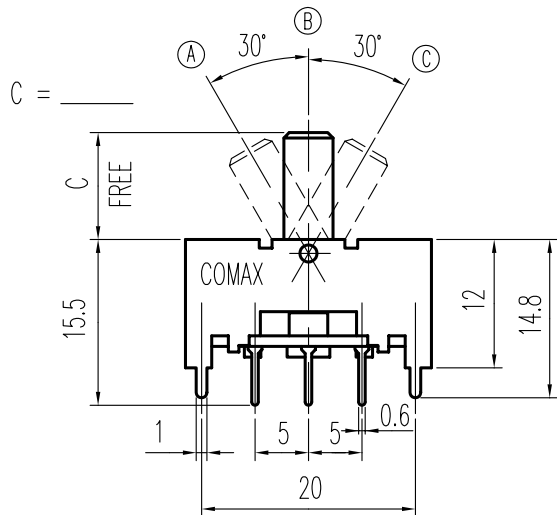
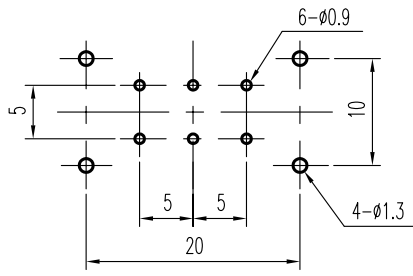


示意图 SCHEMATIC



安装孔 PIERCING PLAN

Specifications

额定负荷 Ratings	DC 30 V 0.3 A
① 初期接触电阻 Initial Contact Resistance	30 mΩ Max.
绝缘电阻 Insulation Resistance	DC 500V 60±5Sec. 100M Ω Min.
抗电强度 Dielectric Voltage	AC 500 V(50~60HZ) 60±5Sec.
	B → A B → C
操作力 Operating Force (gf)	250±100 250±100
② 负荷寿命 Operating Life With Load	10,000 次 Cycles

序NO.	零件 PART	材料 MATERIAL	数量 QTY	备注 REMARKS
11	铝套 ALUMINTUM CAP	ALUMINTUM	1	C 9 - 18
10	弹簧 SPRING	STEEL	1	NATURAL
9	钢钉 RIVET	BRASS	1	NATURAL
8	钢珠 STEEL BALL	STEEL	1	NATURAL
7	导向片 GUIDANCE PLATE	SPCC	1	Ni PLATED
6	端子 TERMINAL	C2680R	6	Ag PLATED
5	基板 TERMINAL BASE	PHENOL RESIN	1	YELLOW
4	接触片 CONTACT	C5210R	2	Ag CLAD
3	胶壳 HOUSING	POM	1	BLACK C
2	胶柄 KNOB	POM	1	BLACK C
1	铁壳 FRAME	SPCC	1	Ni PLATED

A02	接触阻抗 → 初期接触电阻 见①	王光云	06-06-02
A01	机械寿命 → 负荷寿命 见②	张渠江	12 MAY 05
标号 REV	内容 DESCRIPTION	签名 SIGN.	日期 DATE
DWG NO. ITEM2506			

TOLERANCES UNLESS OTHERWISE SPEC.		TITLE	TOGGLE SWITCH		ITEM NO	TS-23E05-C	
UNDER 1	± 0.10	DRAWN	王光云	06-06-02	VERSION	A02	PAGE 1 OF 1
1 - 10	± 0.30	REVIEWED	张念明	06-06-02	SCALE		UNIT mm
OVER 10	± 0.50	APPROVED	高洪	06-06-02	PROJECTION		

COMAX ELECTRONICS (HUIZHOU) CO.,LTD.